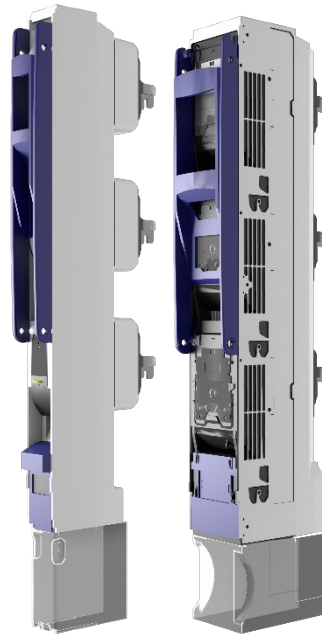


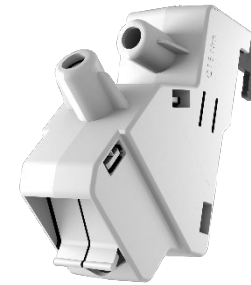
Wöhner:

- S184903-01 E0733141 SLF160W**
160A NH00 To busbar (SW4) 8Nm
1x10mm² re, 16-95mm² rm, 35-95mm²
sm – (SW4) 3-4Nm
- S184903-02 E0733143 SLF250W**
- S184903-03 E0733144 SLF400W**
- S184903-04 E0733145 SLF630W**
250-630 NH1-NH3 To busbar (SW6)
15Nm
70-240mm² sm, 95-240mm² se, 70-
185mm² rm – (SW6) 20-25Nm



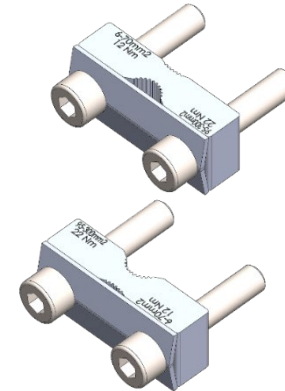
Pronutec:

- S184903-11 E0733146 SLF160P**
160A NH00 To busbar (SW5) 12-15Nm
10-70mm² re, 25-95mm² sm, 20-
120mm² se – (SW5) Max15Nm
- S184903-12 E0733147 SLF250P**
- S184903-13 E0733148 SLF400P**
- S184903-14 E0733149 SLF630P**
250-630 NH1-NH3 To busbar (SW6)
25Nm
35-240mm² – (SW6) 35Nm



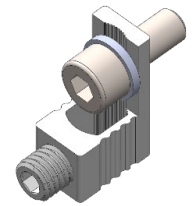
S184902-02S E0733132
SAKI 300

To busbar – (SW6) 15Nm
50-300mm² – (SW6) 30Nm



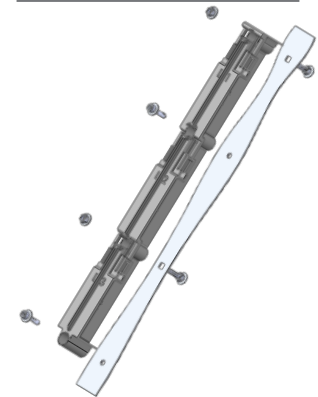
S184902-21 E0733139
SAK300

6-70mm² – (SW6) 12Nm
95-300mm² – (SW6) 22Nm



S184902-16 E0733130
SAK 50

To busbar – (SW6) 25Nm
1,5-10mm² – (SW5) 3,5Nm
16-50mm² – (SW5) 10Nm



184900 / 184902
Busbarholder SPS185

4x of either:
Allen M8 – (SW6) 15Nm
or
Nut M8 – (Hex13) 15Nm
Both always with washer
19,5x10,5x2